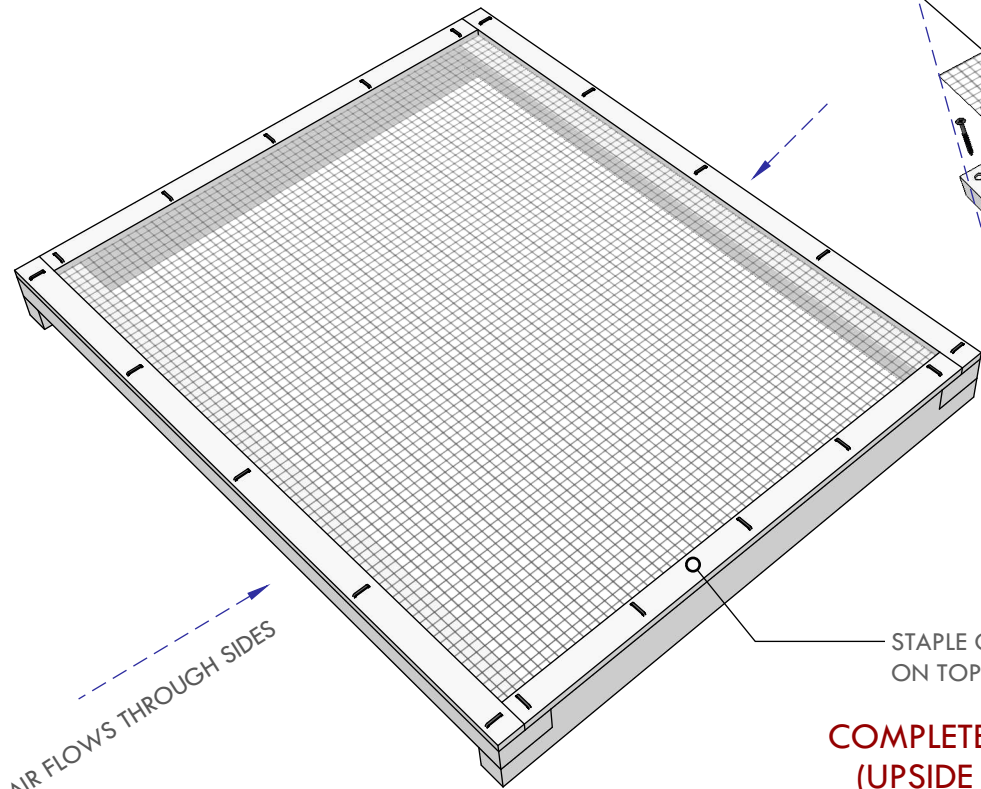


END SLATS  
PAGE 3

SIDE SLATS  
PAGE 3

#8 HARDWARE CLOTH  
CUT TO FIT (CUT LARGE, SQUARE THE  
FRAME, THEN STAPLE TAUT TO FRAME.  
THEN TRIM SCREEN WITH UTILITY KNIFE)



AIR FLOWS THROUGH SIDES

COMPLETED VIEW  
(UPSIDE DOWN)

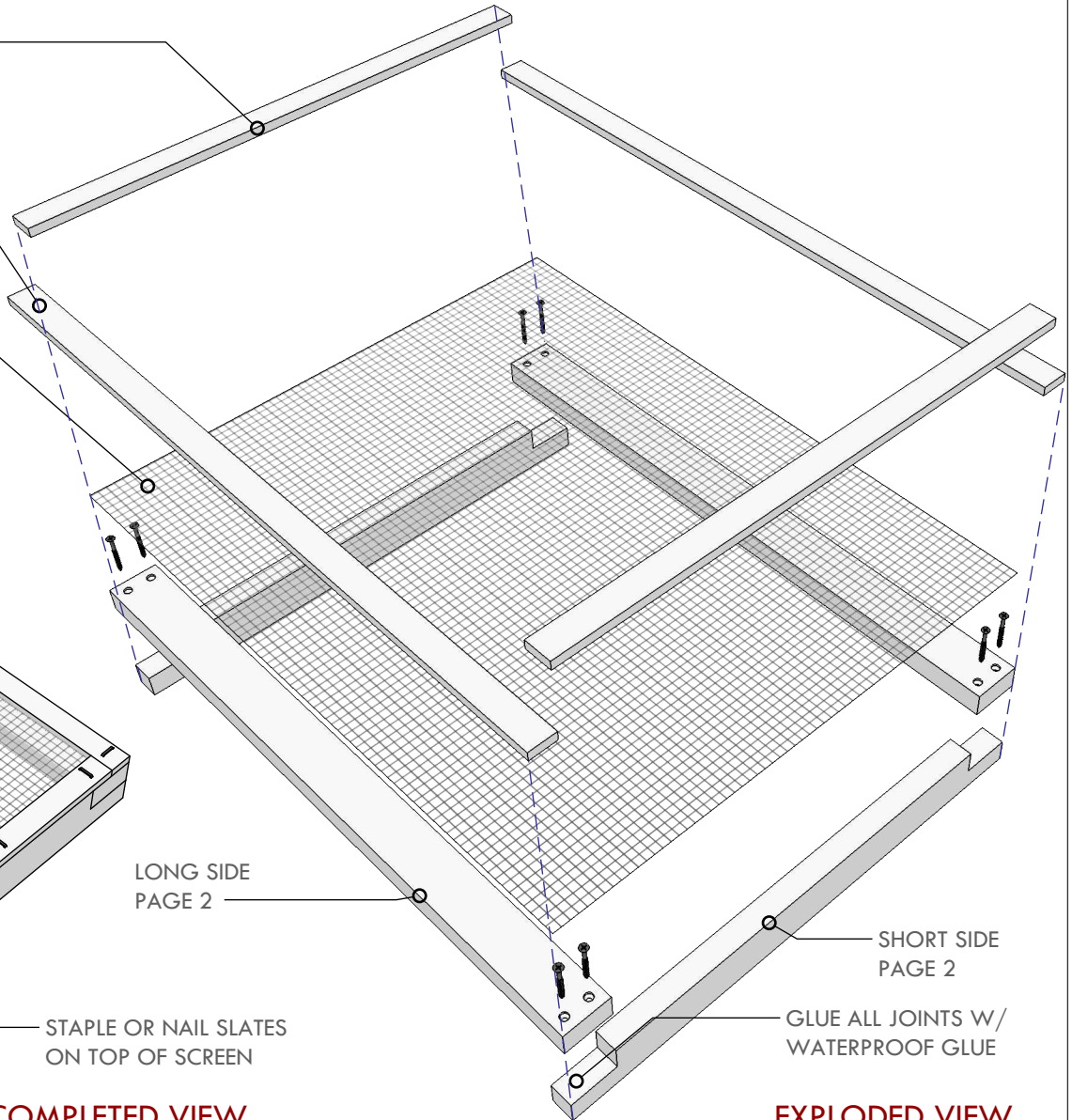
LONG SIDE  
PAGE 2

STAPLE OR NAIL SLATS  
ON TOP OF SCREEN

SHORT SIDE  
PAGE 2

GLUE ALL JOINTS W/  
WATERPROOF GLUE

EXPLODED VIEW



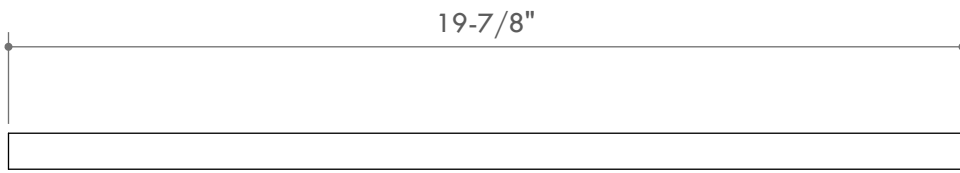
**SUGGESTED MATERIALS:**  
(1) 8 FOOT 1x2 (ANY SPECIES, CEDAR PREFERRED)  
(8) 1 1/4" #8 BUGLE HEAD SCREWS  
5/8" STAPLES  
#HARDWARE CLOTH TO FIT

## SCREENED INNER COVER PLANS

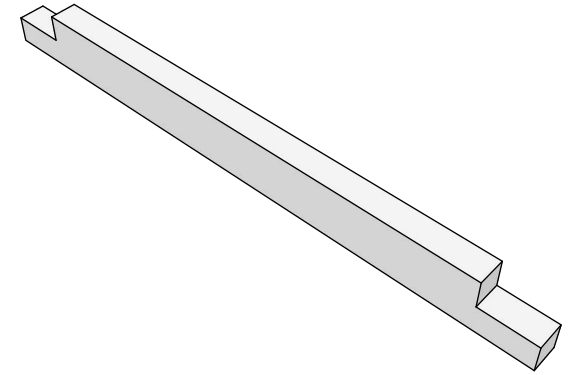
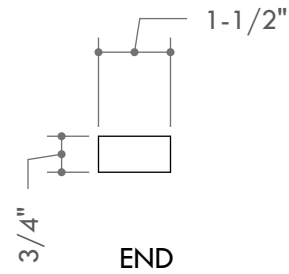
ORIGINAL DESIGN BY RUSTY BURLEW  
AS DESCRIBED ON [HONEYBEESUITE.COM](http://HONEYBEESUITE.COM)  
DRAWN BY MATTHEW WADDINGTON

1

8/2/17



SIDE VIEW (INTERIOR FACE)

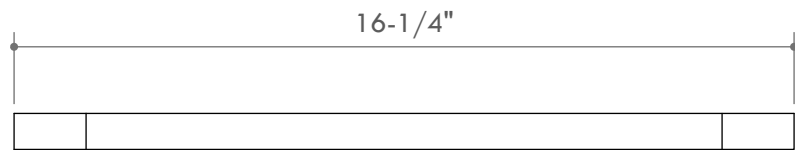


TOP VIEW

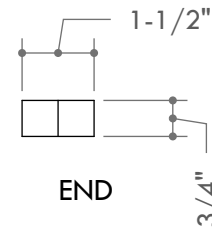
counter sink screw holes

**LONG SIDES**

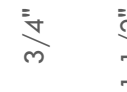
2 REQUIRED-CUT FROM 1X2



SIDE VIEW (INTERIOR FACE)



TOP VIEW



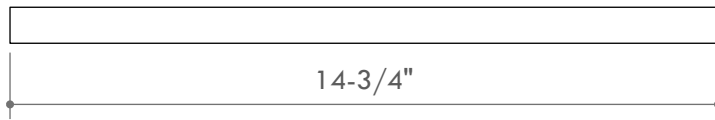
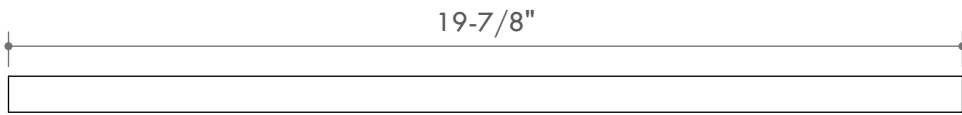
**SHORT SIDES**

2 REQUIRED-CUT FROM 1X2

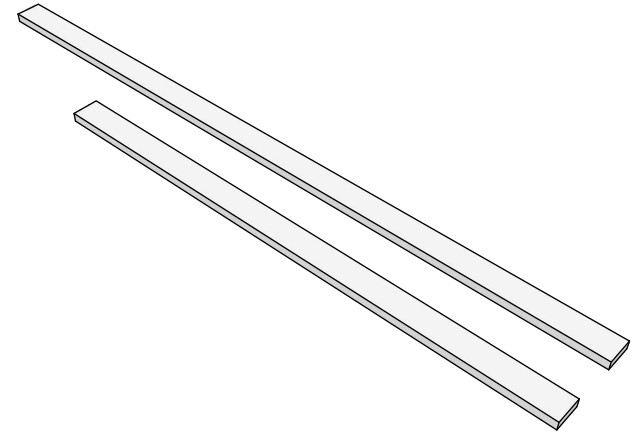
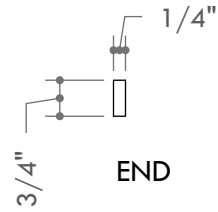
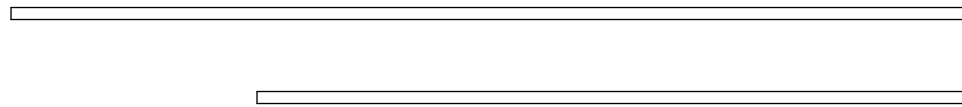


**SCREENED INNER COVER PLANS**

ORIGINAL DESIGN BY RUSTY BURLEW  
AS DESCRIBED ON [HONEYBEESUITE.COM](http://HONEYBEESUITE.COM)  
DRAWN BY MATTHEW WADDINGTON



SIDE VIEW (INTERIOR FACE)



**SLATS**

2 OF EACH REQUIRED-RIP FROM SCRAP



## SCREENED INNER COVER PLANS

ORIGINAL DESIGN BY RUSTY BURLEW  
AS DESCRIBED ON [HONEYBEESUITE.COM](http://HONEYBEESUITE.COM)  
DRAWN BY MATTHEW WADDINGTON

3

8/2/17